

Master Switches

Type IC5847

Specification	MIL-C-2212
Application	Remote control of magnetic starters. Surface mounting.
Enclosure	Watertight.
Types	C - 4 positions max., 8 circuits max. D - 4 positions max., 20 circuits max.
Rating	C and D - 10 amps carry.
Duty	Continuous
Ambient	50° C
Contacts	Both spring return and maintaining contacts available.



Type IC5847 Master Switch

Ordering Information

When ordering Type IC5847 Master Switches specify:

1. IC Type (e.g. IC5847C)
2. Number of circuits
3. Number of positions
4. Circuit configuration
5. Nameplate marking (position identification)

Type	Ampere Rating	Number of Circuits (Max)
IC5847		
A	No Longer Available	
B	No Longer Available	
C	10	8
D	10	12 20

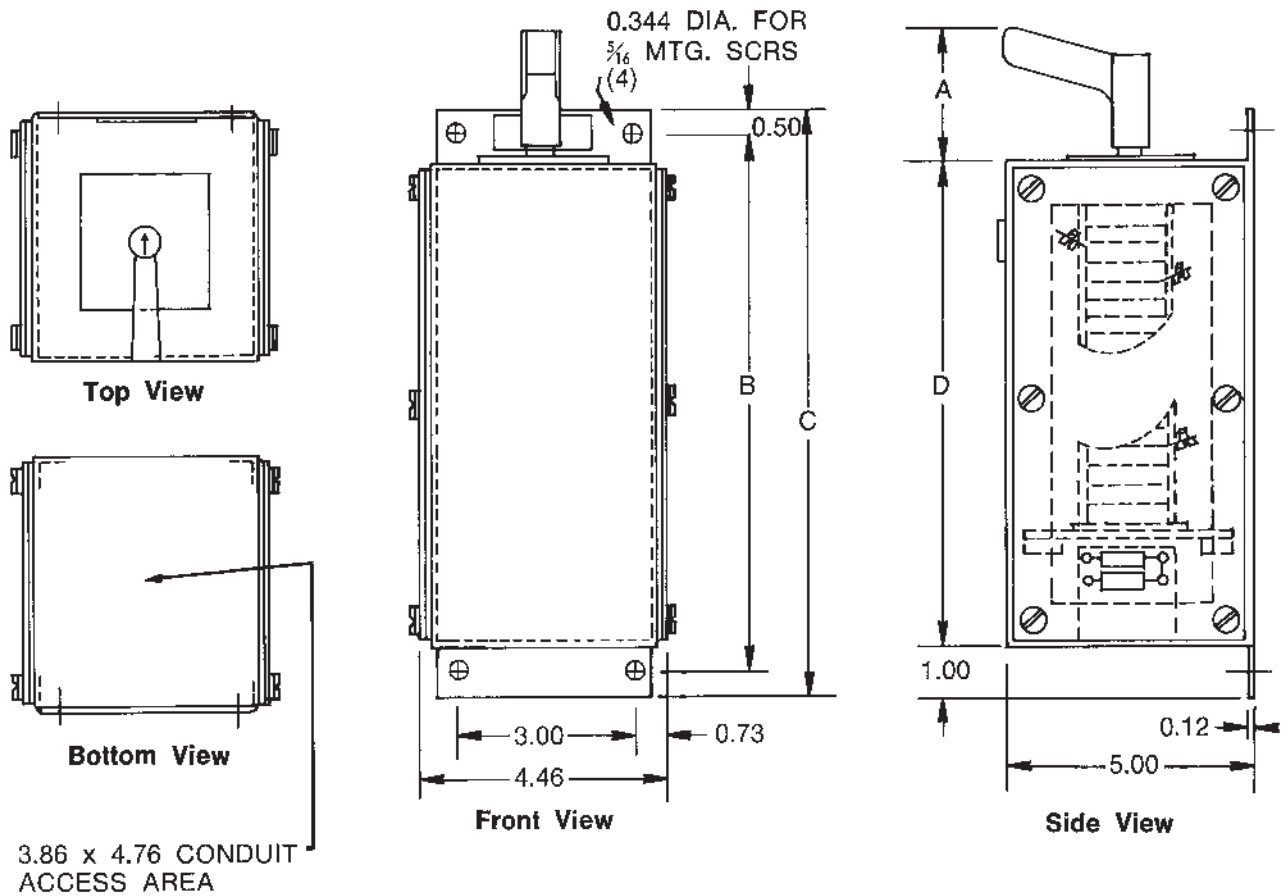
Electrical Ratings (Amperes)

Rating	Amperes (Inductive Circuit)				
	AC, 60 Hz			DC	
	115 V	230 V	440 V	115 V	230 V
Types IC5847C and IC5847D					
Make	10	8	5	8	5
Break	10	5	3	5	2
Carry	10	10	10	10	10
Types IC5847A and IC5847B					
Make	24	24	24	24	24
Break	24	12	5	2	0.7
Carry	20	20	20	20	20

Master Switches

Type IC5847

Outline and Mounting Dimensions (In Inches)



Type	Dimensions in Inches				Wgt. in Lbs.
	A	B	C	D	
IC5847					
C	2.75	7.00	8.00	6.00	9.5
D	3.50	10.80	11.80	9.80	13.5

Limit Switches

Type IC5896

Specification	MIL-C-2212
Application	For general shipboard use with deck machinery, material-handling equipment, machine tools, and elevators.
Enclosures	Submersible (15 ft., 30 min.) or explosion-proof (Class 1, Group D). Enclosure is of ductile iron. Molded parts are Navy-approved fire-resistant material. Gasket and "O" ring are of oil resistant compound.
Mounting	Brackets provide for either left-hand side or back mounting.
Shaft Extension	Right-hand standard or left-hand if specified.
Lever Operation	Spring return. Lever travels in either direction.
Insulation	Class A or Class B
Weight	Approximately 14 lbs.

Contacts	Features	Type of Lever	Submersible	Explosion-proof
			Limit Switch	Limit Switch
IC5896 - Form				
1 N.O. and 1 N.C.	Standard Form	None	A1A1	A1D1
		Roller	A1A2	A1D2
Straight		A1A3	A1D3	
Overlapping Contacts	None	A1T1	–	
	Roller	A1T2	–	
	Straight	A1T3	–	
2 N.O.	Standard Form	None	A1B1	A1E1
		Roller	A1B2	A1E2
Straight		A1B3	A1E3	
Contacts operate on CW rotation only	None	A1U1	–	
	Roller	A1U2	–	
	Straight	A1U3	–	
2 N.C.	Standard Form	None	A1C1	A1F1
		Roller	A1C2	A1F2
		Straight	A1C3	A1F3

Contact Ratings

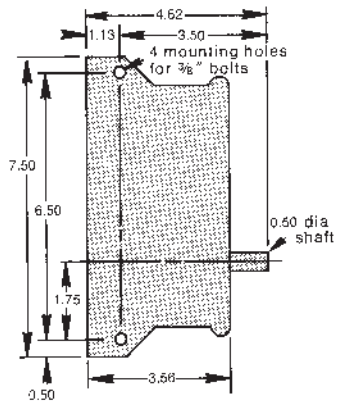
Ratings	Amps
Carry Continuous	10
Break, inductive	
115 VAC	30
230 VAC	20
440 VAC	5
125 VDC	0.4
250 VDC	0.2

NOTE: Form numbers listed are for right-hand shaft extensions (see "Mounting Dimensions"). For left-hand shaft extensions add suffix "L" to form number (example: IC5895-A1A1L).

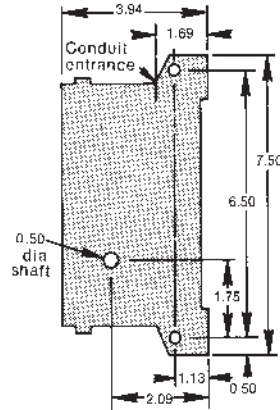
Limit Switches

Type IC5896

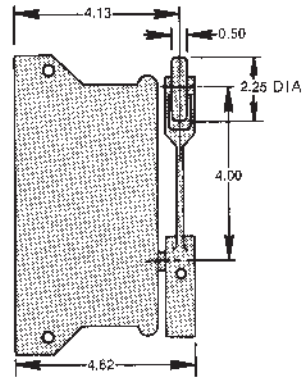
Outline and Mounting Dimensions (In Inches)



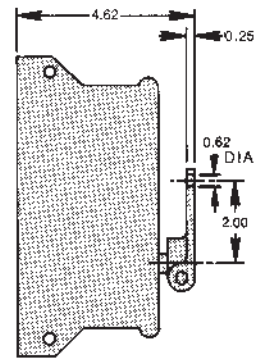
**No lever
Front view**



**No lever
Side view**

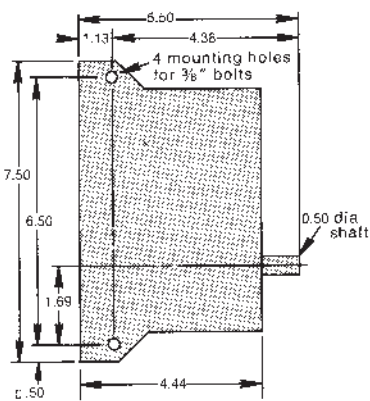


**Lever with roller
Front view**

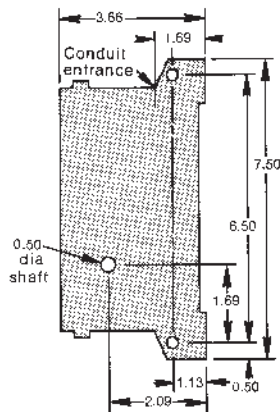


**Straight lever
Front view**

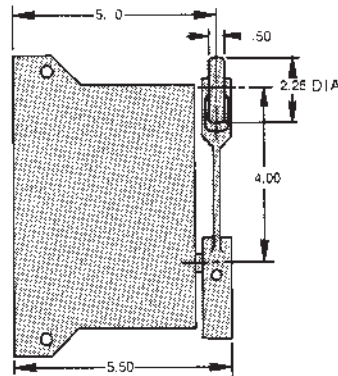
Submersible Switch



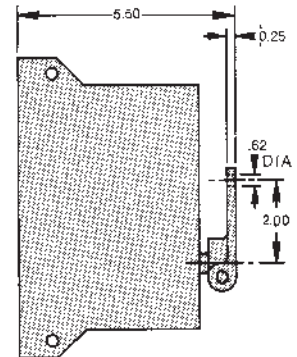
**No lever
Front view**



**No lever
Side view**



**Lever with roller
Front view**



**Straight lever
Front view**

Explosion-proof Switch

Limit Switches

Series 4976

Series 4976 Limit Switches are for application on hoists, elevators, steering gear, and other shipboard equipment requiring an electrical limit switch for automatic control operation. Type N47A or B has a steel enclosure; Type N94A a brass enclosure. A wide selection of lever arms, cam arrangements, (overtravel) and contact combinations are offered on both types.

Specification	MIL-C-2212**
Operation	Automatic
Enclosure	Watertight or submersible 15 ft. - without space heater*.
Duty	Continuous
Ambient	50° C
Insulation	Class B
Ratings	5 amps, 500 volts, A.C. 60 Hz
	10 amps, 220 volts, A.C. 60 Hz.
	2 amps., 115 volts, D.C.

*Space heater can be provided.

**For use where opening of contacts, in excess of 10 milliseconds, under shock, does not affect the operation of associated equipment.

N47 Limit Switch Assemblies Without Lever Arms

Steel Box	Contacts		Watertight	Submersible (15 Foot)
	A	B	Type Number	
Left Hand	–	N.O.	N47A-60	N47B-60
Left Hand	N.C.	–	N47A-61	N47B-61
Left Hand	N.C.	N.O.	N47A-62	N47B-62
Left Hand	–	N.O.	N47A-63	N47B-63
Left Hand	N.C.	–	N47A-64	N47B-64
Left Hand	N.C.	N.O.	N47A-65	N47B-65
Left Hand	N.O.	N.O.	N47A-66	N47B-66
Right Hand	–	N.O.	N47A-70	N47B-70
Right Hand	N.C.	–	N47A-71	N47B-71
Right Hand	N.C.	N.O.	N47A-72	N47B-72
Right Hand	–	N.O.	N47A-73	N47B-73
Right Hand	N.C.	–	N47A-74	N47B-74
Right Hand	N.C.	N.O.	N47A-75	N47B-75
Right Hand	N.O.	N.O.	N47A-76	N47B-76

NOTE: Lever arms available with or without roller.

Ordering Information

When ordering Series 4976 Limit Switches, specify:

1. Type No. (e.g. Type N47A-60)
2. Type contacts (e.g. N.O. contacts)
3. Operating shaft location (e.g. left or right hand)
4. Cam configuration (e.g. Cam Fig. 1)
5. Type lever arm (e.g. Type A)
6. Type enclosure (e.g. watertight or submersible)
7. Space heater, if required

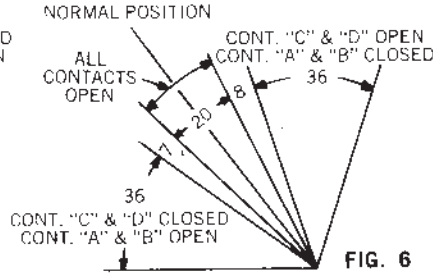
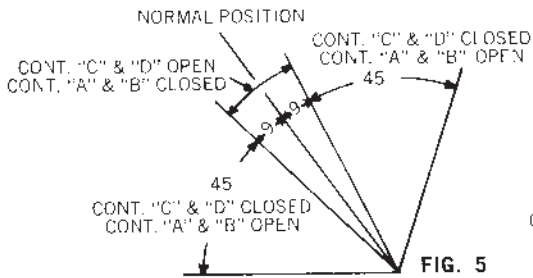
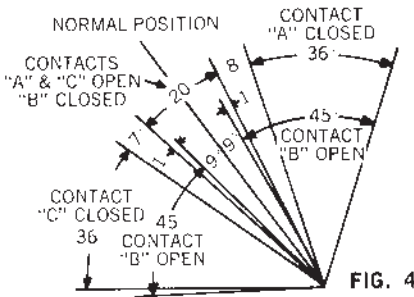
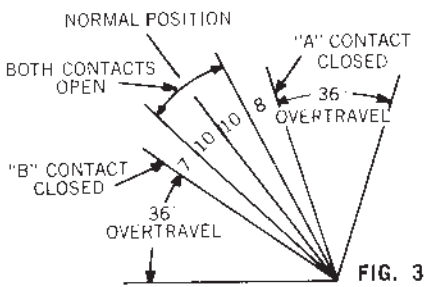
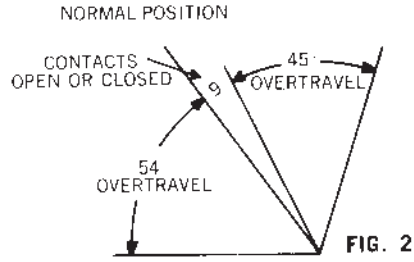
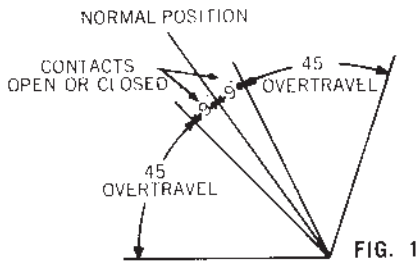
Repair Parts

Repair parts normally furnished in accordance with applicable part allowance list include:

- 1 set of contacts
- 1 set of springs

Limit Switches

Series 4976



Cam Selection

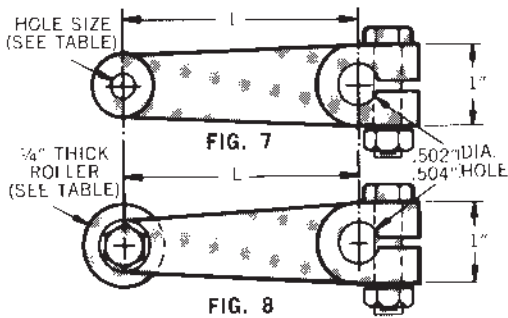


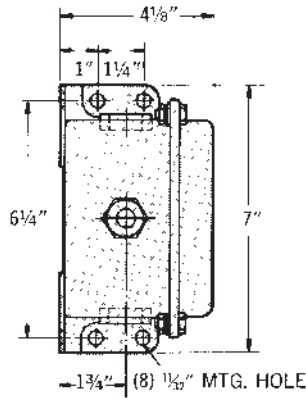
Fig. No.	Lever Arm Type	Length of Arm (L)	Hole Size	Roller Diameter
7	A	1 5/8"	7/16"	1"
7	B	3/2"	7/16"	1"
7	C	2 7/16"	7/16"	1"
7	D	4 1/32"	7/16"	1"
8	E	2 3/4"	1"	1"
8	F	4"	1"	1"
8	G	6"	1"	1"
8	H	5"	2"	2"

Lever Arms

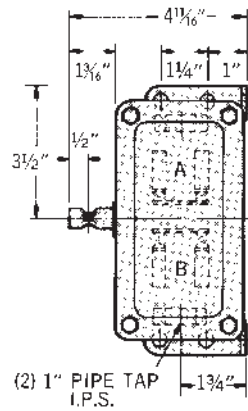
Limit Switches

Series 4976

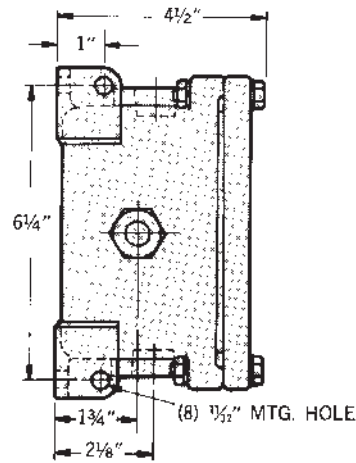
N94A Limit Switch Assemblies without Levers (Dimensions)



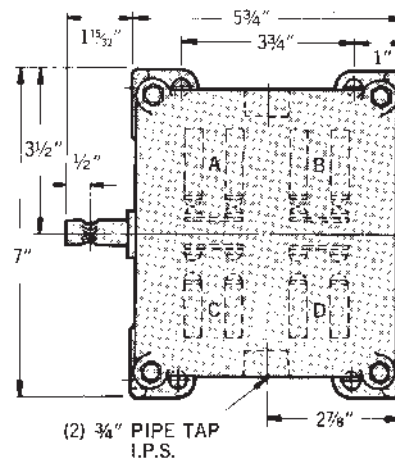
**FIG. 9. Type N47
Lefthand assembly.**



**FIG. 10. Type N47
Righthand assembly.**



**FIG. 11.
Type N94A assembly.**



Brass Box	Contact				Type Number*
	A	C	B	D	
Left or Right Hand	N.C.	—	—	—	N94A-2
Left or Right Hand	—	—	N.C.	—	
Left or Right Hand	N.O.	N.O.	—	—	N94A-3
Left or Right Hand	—	—	N.O.	N.O.	
Left or Right Hand	N.C.	N.O.	—	—	N94A-4
Left or Right Hand	—	—	N.C.	N.O.	
Left or Right Hand	N.C.	N.O.	—	—	N94A-5
Left or Right Hand	—	—	N.C.	—	
Left or Right Hand	N.O.	N.O.	—	—	N94A-6
Left or Right Hand	—	—	N.C.	—	

* Same type numbers apply to Watertight or Submersible Enclosed.

Pushbuttons, Indicating Light, and Rotary Switch Stations

Series 4975

Series 4975 Pushbutton Stations are designed for shipboard control applications requiring heavy duty watertight master switches. Stations are available with one, two or three elements equipped with maintained or momentary contacts and with indicating lights. For panel or switchboard mounting individual N.O., N.C. or D.T. elements can be supplied.

Specification	MIL-C-2122
Operation	Manual
Enclosure	Watertight (without space heater*)
Duty	Continuous
Ambient	50° C
Insulation	Class B
Ratings	1 Amp., 250 volts D.C. 5 amps., 500 volts A.C.

*Space heater can be furnished.



Pushbutton element for panel or switchboard mounting

Ordering Information

1. Specify Type Number, i.e. NS101-1
2. For special assemblies specify-
 - A- Number of elements and location
 - B- Type of elements and legend plate marking
 - C- Indicator lens color, if required and circuit voltage

Indicating Lights

Indicating lights for 115 or 440 volt A.C. or 115 or 230 volt D.C. service can be included in one, two, or three button stations. Lights for 440 volt A.C. service are of the transformer type. Clear, red, blue, amber or green lenses are available.



Pushbuttons Stations Series 4975

Control Station (Two Elements)				
Type of Element		Legend Plate Marking***		Type Nos.
Top	Bottom	Top	Bottom	
N.O.	N.O.	Open	Close	NS201-1
D.T.	D.T.	Positive	Negative	NS203-1
D.T.	D.T.	Start	Open	NS203-2
D.T.	D.T.	Open	Close	NS203-3
Blue Lens**	Amber Lens**	(specify)	(specify)	NS204T3
Red Lens**	White Lens**	(specify)	(specify)	NS204T4
D.T.	D.T.	Man.-Auto.	Slow-Fast	NS205-1
N.O.	N.C.	Start	Stop	NS207-1
N.O.	N.C.	Start Emer.	Stop	NS207-2
N.O.	N.O.	Emer. Run	Stop-Start	NS213-1
Red Lens*	N.O.	(specify)	Stop-Start	NS216-1
D.T.	N.O.	Man.-Auto.	Stop-Start	NS221-1
D.T.	N.O.	Slow-Fast	Stop-Start	NS221-2
N.O.	N.C.	Start	Stop	NS230-1

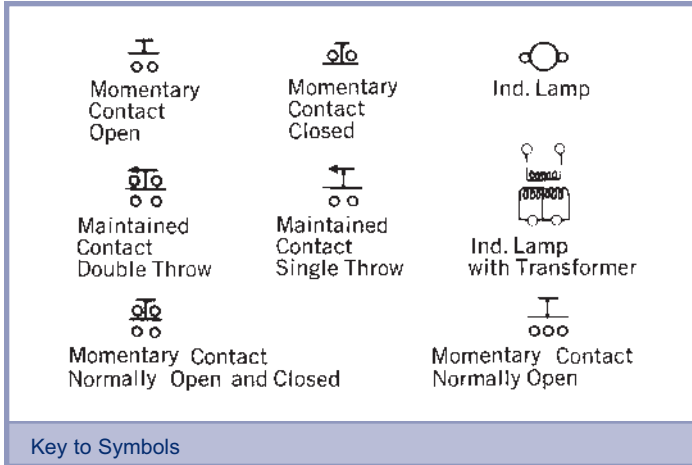
Control Station (One Element)		
Type of Element	Legend Plate Marking***	Type Nos.
N.O.	Start	NS101-1
N.O.	Reset	NS101-2
N.O.	Start Emergency	NS101-3
N.O.	Emergency Run	NS101-4
N.C.	Stop	NS102-1
N.C.	Test	NS102-2
N.C.	Emergency Stop	NS102-3
D.T.	Emergency Stop	NS103-1
Red Lens*	(specify)	NS104-1
Green Lens*	(specify)	NS104-2
Red Lens*	(specify)	NS104-T3
Green lens*	(specify)	NS104-T4
N.O.	Off - On	NS105-1
N.O.	Stop - Start	NS105-2
N.O.	Stop - Run	NS105-3
D.T.	Man. - Auto	NS106-1
D.T.	Slow - Fast	NS106-2

Control Station (Three Elements)						
Type of Element			Legend Plate Marking***			Type Nos.
Top	Center	Bottom	Top	Center	Bottom	
D.T.	D.T.	N.C.	Fast	Slow	Stop	NS309-1
D.T.	D.T.	N.C.	Fast Emer.	Slow Emer.	Stop	NS309-2
D.T.	D.T.	N.C.	Forward	Reverse	Stop	NS309-3
Green Lens*	D.T.	D.T.	Motor Running	Off-On	Run-Auto	NS320-1
D.T.	D.T.	N.O.	Man.-Auto	Slow-Fast	Stop-Start	NS321-1
N.O.	N.O.	N.C.	Emer. Run	Start	Stop	NS322-1
Red Lens*	N.O.	N.C.	(specify)	Start	Stop	NS338-1
Red Lens*	N.O.	N.C.	Motor Running	Start	Stop	NS338-2
Green Lens**	N.O.	N.C.	Power On	Start	Stop	NS338T4
Red Lens**	N.O.	N.C.	Motor Running	Start	Stop	NS338T5
D.T.	N.O.	N.C.	Slow-Fast	Start	Stop	NS340-1
D.T.	N.O.	N.C.	Man-Auto	Start	Stop	NS340-2
D.T.	N.O.	N.C.	Slow-Fast	Start Emer.	Stop	NS340-3
Red Lens*	N.O.	N.O.	Power On	Start	Off-On	NS347-1
Red Lens**	N.O.	N.O.	Power On	Start	Off-On	NS347T2
Red Lens*	N.O.	D.T.	(specify)	Emer. Run	Man-Auto	NS360-1

* For 115 volt circuits
 ** For 440 volt circuits
 *** Legend plate markings other than the markings listed available. The maximum number of characters per legend plate is 14.

Pushbuttons Stations

Series 4975



Special Assemblies		
Type	Marking	Description
2-Button	(specify)	(2) Indicator Lights - 115 V
2-Button	(specify)	(2) Indicator Lights - 440/6 V
3-Button	(specify)	(3) Indicator Lights - 115 V
3-Button	(specify)	(3) Indicator Lights - 440/6 V

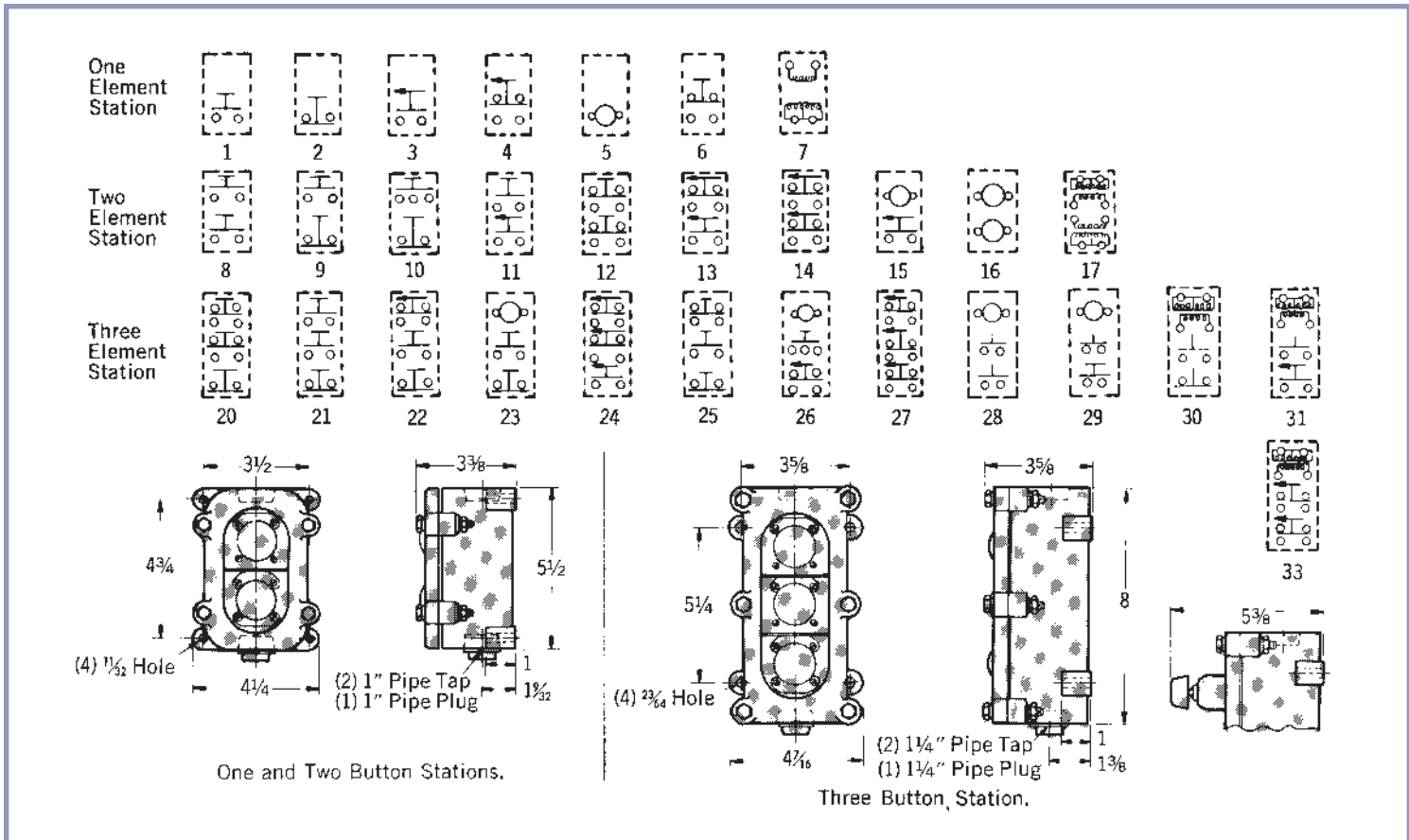


Diagram Symbols

Switchboard Mounted Units (Dropproof or Watertight)

Standard Contact Arrangement

N.O., N.C., or D.T. Pushbutton – momentary
 D.T., 2-position Rotary Switch – maintained
 3-point N.O. Pushbutton – momentary

Pushbutton, Indicating Light, and Rotary Switch Stations

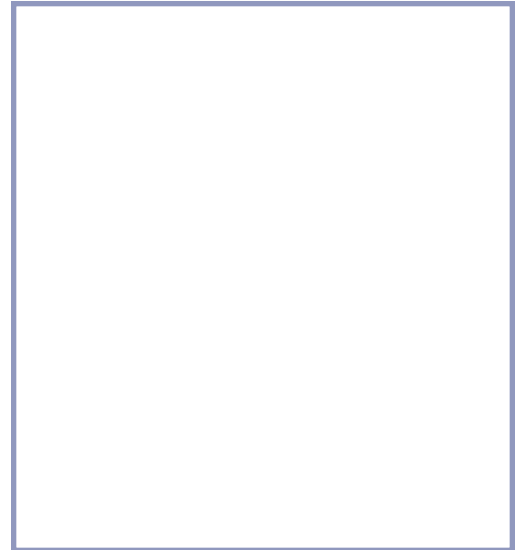
Type IC5844

Specification	MIL-C-2212
Application	Control of magnetic starters from remote locations. Surface mounted.
Enclosure	Watertight. Conduit entrance, top or bottom.
Pushbuttons	Momentary contact type.
Selector Switches	Both spring return and maintaining contacts available.
Indicating Lights	Dual-lamp type. Uses T-1 3/4 midget screw lamps.
Duty.	Continuous
Ambient	50° C

Ordering Information

- Order by complete catalog number. The most frequently ordered standard stations are listed on page 48. Order these stations by the complete catalog number listed whenever possible.
- Order by complete description, including
 IC number
 Quantity and type of each element desired
 Nameplate marking (lens cap marking if indicating element)

Example: IC5844L containing one indicating light element
 1G marked "motor running" and one rotary switch element 3 marked "stop" (pos c) and "run" (pos D)



Basic Station	Maximum Number of Elements
IC5844K	2
IC5844L	3
IC5844M	5

Electrical Ratings

Rating	Amperes (Inductive circuit)				
	A.C., 60 Hz			D.C.	
	115 V	230 V	440 V	115 V	230 V
Push Button					
Make	60	60	60	60	60
Break	6	3	1.5	2.2	1.1
Carry	10	10	10	10	10
Selector Switch					
Make	10	8	5	8	5
Break	10	5	3	5	2
Carry	10	10	10	10	10

Pushbuttons, Indicating Light, and Rotary Switch Stations

Type IC5844

Electrical Arrangements

Element Arrangement		Order Station Type
One pushbutton		IC5844K
Two pushbuttons		IC5844K
Three pushbuttons		IC5844L
Four pushbuttons		IC5844M
Five pushbuttons		IC5844M
One indicating light		IC5844K
Two indicating lights		IC5844K
Three indicating lights		IC5844L
Four indicating lights		IC5844M
Five indicating lights		IC5844M
One rotary switch		IC5844K
Two rotary switches		IC5844L
Three rotary switches		IC5844M
One P.B. with	One indicating light	IC5844K
	Two indicating lights	IC5844L
	One rotary switch	IC5844L
	One ind. light and one rotary sw.	IC5844L
Two P.B. with	One indicating light	IC5844L
	Two indicating lights	IC5844M
	Three indicating lights	IC5844M
	One rotary switch	IC5844L
	Two rotary switches	IC5844M
Three P.B. with	One indicating light	IC5844M
	Two indicating lights	IC5844M
	One rotary switch	IC5844M
	Two rotary switches	IC5844M
One I.L. with	One rotary switch	IC5844L
Two I.L. with	One rotary switch	IC5844L
Refer to Company for arrangements not listed.		



Pushbuttons, Indicating Light, and Rotary Switch Stations

Type IC5844

PUSHBUTTON ELEMENTS				
<p>ELEMENT 1P</p> <p>1 NO MOMENTARY CONTACT</p>	<p>ELEMENT 2P</p> <p>1 NO MOMENTARY CONTACT</p>	<p>ELEMENT 3P</p> <p>1 NO AND 1 NC MOMENTARY CONTACT</p>	<p>ELEMENT 4P</p> <p>2 NO MOMENTARY CONTACTS</p>	<p>ELEMENT 5P</p> <p>2 NC MOMENTARY CONTACTS</p>

INDICATING LIGHT ELEMENTS (SEE NOTE 1)									
ELEMENT	LENS COLOR	ELEMENT	LENS COLOR	ELEMENT	LENS COLOR	ELEMENT	LENS COLOR	ELEMENT	LENS COLOR
1A	AMBER	2A	AMBER	3A	AMBER	4A	AMBER	5A	AMBER
1B	BLUE	2B	BLUE	3B	BLUE	4B	BLUE	5B	BLUE
1C	CLEAR	2C	CLEAR	3C	CLEAR	4C	CLEAR	5C	CLEAR
1G	GREEN	2G	GREEN	3G	GREEN	4G	GREEN	5G	GREEN
1R	RED	2R	RED	3R	RED	4R	RED	5R	RED
1W	WHITE	2W	WHITE	3W	WHITE	4W	WHITE	5W	WHITE
440 VAC 60 Hz		115 VAC 60 Hz		230 VDC 230 VDC		115 VDC 115 VDC		28 VAC/ VDC	28 VAC/ VDC
TYPE TS-159 LAMPS		TYPE TS-159 LAMPS		SEE NOTE 1 TYPE TS-175 LAMPS		SEE NOTE 1 TYPE TS-175 LAMPS		TYPE TS-158 LAMPS	

Note 1: Series resistors R1 and R2 must be remote mounted and are not included.

Resistor	Ohms	Amps	Actual Watts
R1	2950	0.04	4.7
R2	1380	.04	2.2

ROTARY SWITCH ELEMENTS (SEE NOTES 2 AND 3)					
<p>ELEMENT 1S F C D</p> <p>MAINTAIN CONTACT x = CLOSED</p>	<p>ELEMENT 2S F C D</p> <p>MAINTAIN CONTACT x = CLOSED</p>	<p>ELEMENT 3S C D</p> <p>MAINTAIN CONTACT x = CLOSED</p>	<p>ELEMENT 4S C D</p> <p>MAINTAIN CONTACT x = CLOSED</p>	<p>ELEMENT 5S C D E</p> <p>← SPRING RETURN x = CLOSED MAKE BEFORE BREAK</p>	<p>Note 2: Location of rotary switch positions.</p> <p>FRONT VIEW</p>
<p>ELEMENT 6S F C D</p> <p>MAINTAIN CONTACT x = CLOSED</p>	<p>ELEMENT 7S F C D</p> <p>MAINTAIN CONTACT x = CLOSED</p>	<p>ELEMENT 8S F C D</p> <p>← SPRING RETURN x = CLOSED</p>	<p>ELEMENT 9S C D E</p> <p>MAINTAIN CONTACT x = CLOSED</p>	<p>ELEMENT 1T F C D</p> <p>SPRING RETURN → x = CLOSED</p>	
<p>ELEMENT 2T F C D</p> <p>← SPRING RETURN → SPRING RETURN x = CLOSED</p>	<p>ELEMENT 3T C D</p> <p>MAINTAIN CONTACT x = CLOSED</p>	<p>ELEMENT 4T C D</p> <p>MAINTAIN CONTACT x = CLOSED</p>	<p>ELEMENT 5T F C D</p> <p>← SPRING RETURN → SPRING RETURN x = CLOSED</p>	<p>ELEMENT 6T F C D</p> <p>← SPRING RETURN → x = CLOSED</p>	<p>ELEMENT 7T C D</p> <p>← SPRING RETURN → x = CLOSED</p>

Note 3: Contacts break before make, unless otherwise specified.

Pushbuttons, Indicating Light, and Rotary Switch Stations

Type IC5844

Standard Pushbutton Stations

Element(s) and Namplate Markings			
Position 1	Position 2	Position 3	Complete Catalog Number
1P Start	–	–	IC5844K1PXXXX04AA
2P Stop (red)	–	–	IC5844K2PXXXX04AE
1P Emer. Run	–	–	IC5844K1PXXXX04AB
2P Emer Stop (red)	–	–	IC5844K2PXXXX04AC
1P Reset	–	–	IC5844K1PXXXX04AD
1P Test	–	–	IC5844K1PXXXX04AG
1P Bypass	–	–	IC5844K1PXXXX04AH
1P Start	2P Stop (red)	–	IC5844K1P2PXX01AA
1P On	2P Off	–	IC5844K1P2PXX01AF
3P Hoist	3P Lower	–	IC5844K3P3PXX01AB
3P Forward	3P Reverse	–	IC5844K3P3PXX01AE
3P High Speed	3P Low Speed	–	IC5844K3P3PXX01AN
3P Fast	3P Slow	2P Stop (red)	IC5844L3P3P2P07AA
3P Forward	3P Reverse	2P Stop (red)	IC5844L3P3P2P07AJ
3P Hoist	3P Lower	2P Stop (red)	IC5844L3P3P2P07AH
1P Start	2P Stop (red)	1P Emer. Run	IC5844L1P2P1P07AD
3P High Speed	3P Low Speed	2P Stop (red)	IC5844L3P3P2P07AG

Standard Rotary Switch Stations

Element(s) and Namplate Markings (All Stations Are Single Element)		Complete Catalog Number
3S Stop (red) – Start		IC5844K3SXXXX03AA
3S Off – On		IC5844K3SXXXX03AB
4S Local – Remote		IC5844K4SXXXX03AC
4S Manual – Auto		IC5844K4SXXXX03AP
1S Manual – Off – Auto		IC5844K1SXXXX03MA
1S Slow – Stop (red) – Fast		IC5844K1SXXXX03MN
1S Raise – Stop (red) – Lower		IC5844K1SXXXX03MH

Standard Combination Stations

Element(s) and Namplate Markings			
Position 1	Position 2	Position 3	Complete Catalog Number
1G Motor Running	1P Start	2P Stop (red)	IC5844L1G1P2P10AA

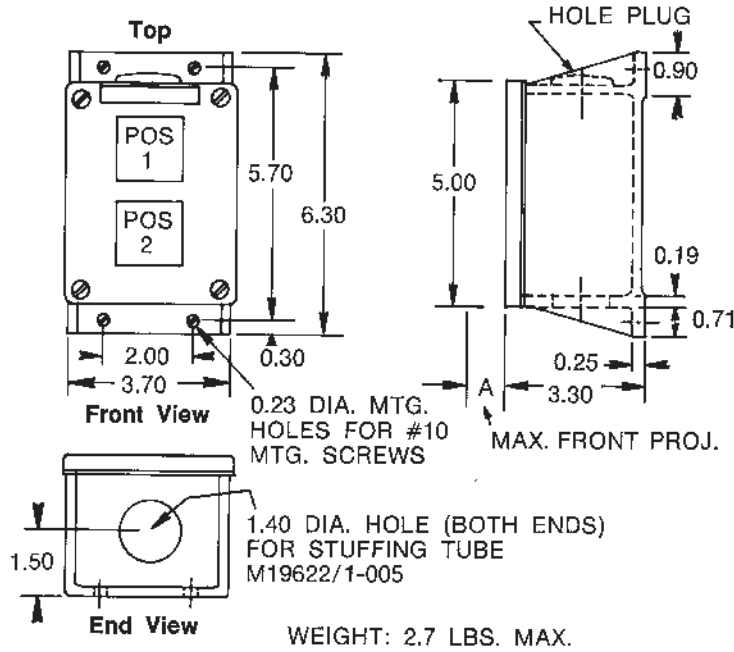
Standard Indicating Light Stations

Element(s) and Namplate Markings		
Position 1	Position 2	Complete Catalog Number
1G Motor Running	–	IC5844K1GXXXX06AA
1W Power Available	–	IC5844K1WXXXX06AB
1G Fast	1G Slow	IC5844K1G1GXX02AA
1G High Speed	1G Low Speed	IC5844K1G1GXX02AB
1G Up	1G Down	IC5844K1G1GXX02AC

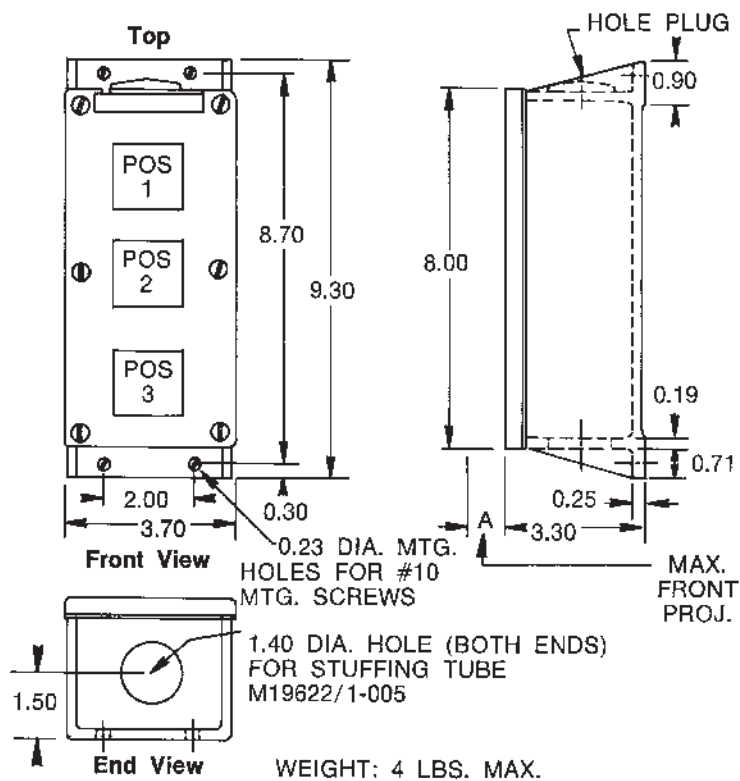
Pushbuttons, Indicating Light, and Rotary Switch Stations

Type IC5844

Outline and Mounting Dimensions (In Inches)



Type IC5844K



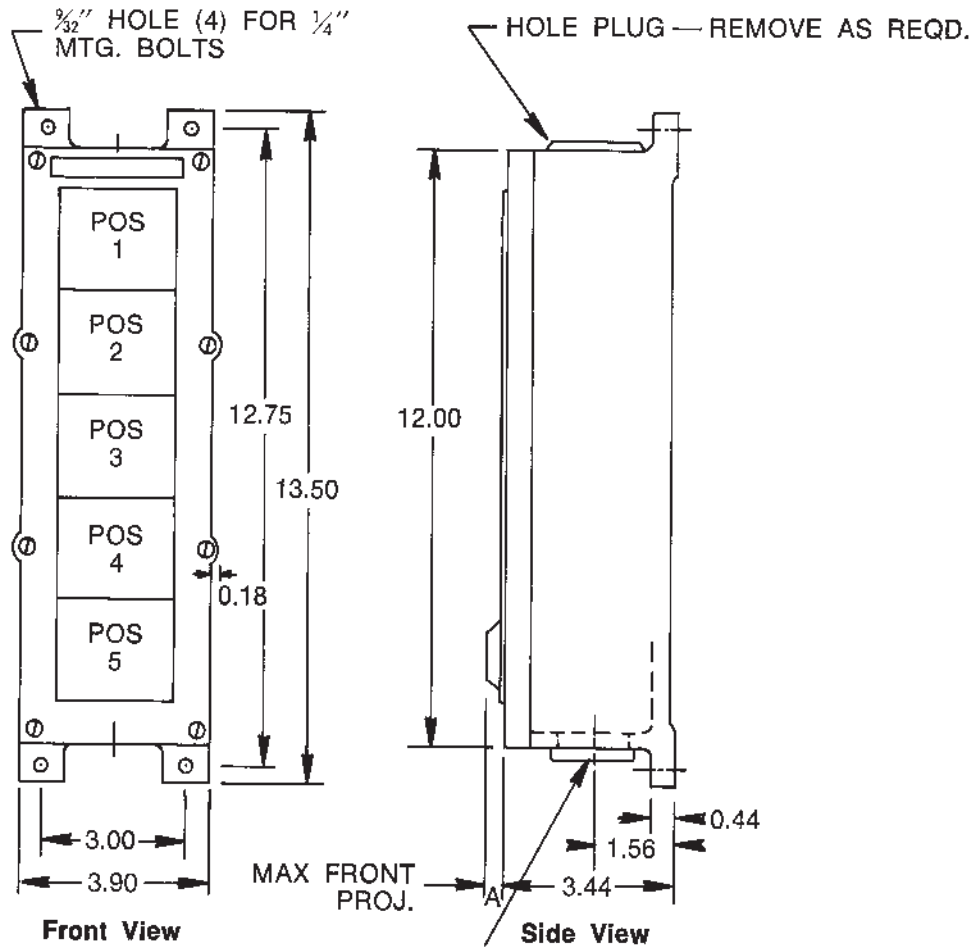
Type IC5844L



Pushbuttons, Indicating Light, and Rotary Switch Stations

Type IC5844

Outline and Mounting Dimensions (In Inches)



2.01 DIA. HOLE (ONE END)
 FOR SIZE 5 STUFFING TUBE
 M19622/1-006, 1.40 DIA. HOLE
 IN OTHER END FOR SIZE 4T
 STUFFING TUBE M19622/1-005

ELEMENT	A DIM.
PB	0.30
IL	0.30
ROT. SW	1.15

WEIGHT: 8 LBS. MAX.

Panel-mounted Selector Switches

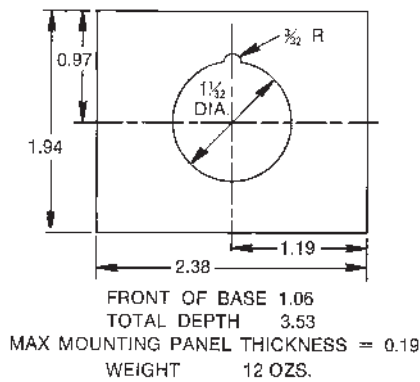
Type IC5846

Specification	MIL-C-2212
Application	Where ever maintained contact switching of control circuits is required.
Positions	Two or three position switches are available.

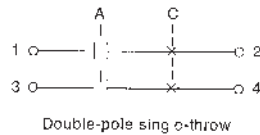


Selector Switch

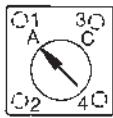
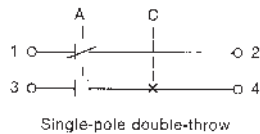
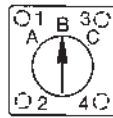
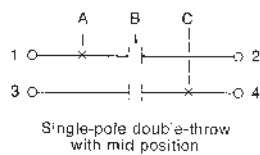
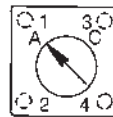
Outline and Mounting Dimensions (In Inches)



WIRING SYMBOLS



Position Location
Front View



All contacts are maintained

Contact Ratings (Amperes)

Volts	Carry Continuous	Interrupt
115 VAC	10	3.0
440 VAC	10	0.5
115 VDC	10	1.0
230 VDC	10	0.3

Contact Arrangement

Contact Arrangement	Catalog Number
Double-pole single-throw	5729122G1
Single-pole double-throw with mid position	5729122G2
Single-pole double-throw	5729122G3

Ordering Information

Order selector by catalog number. Nameplate, if required, must be ordered separately. Order standard nameplate by catalog number. Specify marking for special nameplate.

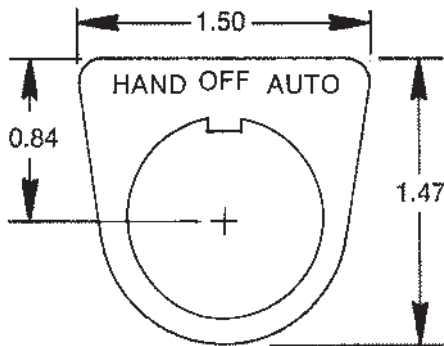
Panel-mounted Selector Switches

Type IC5846

Standard Selector-switch Nameplates

Nameplate Marking	Catalog Number
Stop – Start	NP93396C
Off – On	NP93396A
Stop – Run	NP94647B
Auto – Hand	NP94647D
Manual – Auto	NP97168A
Local – Remote	NP97168B
Off – Auto	NP97261C
Low – High	NP99265B
Man – Off – Auto	NP145872B
Hand – Off – Auto	NP97261D
Low – Off – Auto	NP97261B
Run – Off – Auto	NP145872A
On – Off – Remote	NP110849A
Blank	NP161895A
Special Nameplate Marking	–

Outline and Mounting Dimensions (In Inches)



Nameplate

Rotary and Momentary Selector Switches

Styles JF and JFM

Silver to Silver Contacts

- Silver overlay on bronze
- Low contact resistance
- Self-wiping actions
- Non-shorting - break before make
- Solder connections

Watertight Mounting

- "O" ring construction on shaft and mounting bushing
- Non-turn device included
- Single hole mounting for 3/8 - 32 thread

Kel-F Sections

- Unitized construction
- Available in one to five sections

Positive Index Mechanism (Style JF)

- Twelve positions
- Thirty (30) degree increments
- Conveniently located adjustable stops

Spring Return Index (Style JFM)

- Return positioning from both left and right

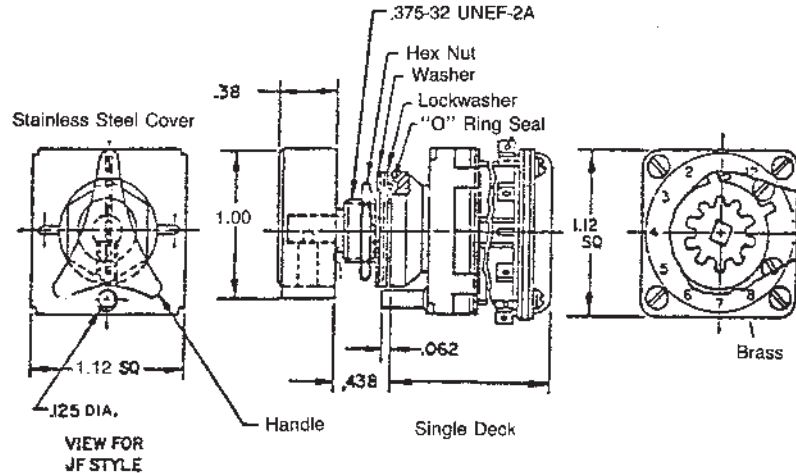
Qualified Product Listed (QPL) tested and approved per MIL-S-21604 for both styles:

- Circuit configuration
- Temperature rise
- Contact resistance
- Endurance
- Torque
- Seal
- Dielectric withstanding voltage
- Insulation
- Shock and Vibration
- Terminal strength
- Strength of mounting bushing
- Visual and mechanical

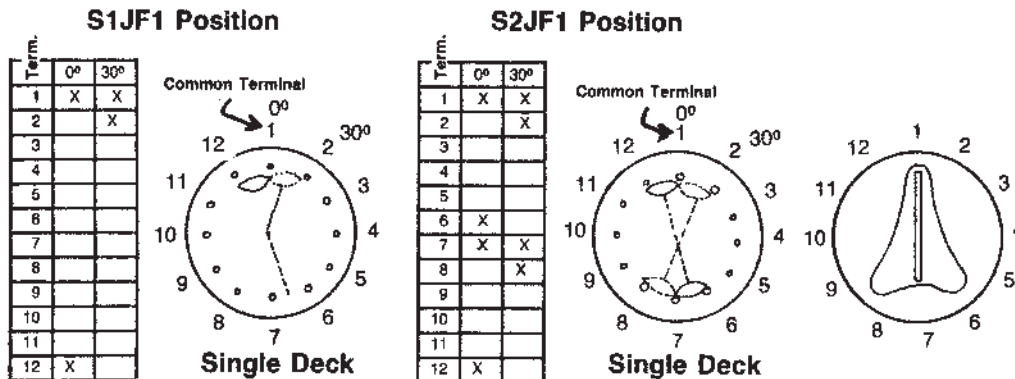
Panel-mounted Selector Switches

Type IC5846

Switch arrangement is basically a 4 pole, 2 position break before make (non-shorting) switch deck. Choose from 1 to 5 decks. As many as 20 circuits, if 5 decks used, can be transferred at one time.



Rotor Contact Configuration



Nickel plated brass handle will be furnished unless otherwise specified. Use of small soldering iron to attach wires to terminals is highly recommended to prevent damage due to excessive wear and tension to the Kel-F sections. Rosin core solder is best to use when soldering the terminal leads.

Panel-mounted Pushbuttons

Type IC5845

Specification	MIL-C-2212
Application	Momentary operation in control circuits of magnetic starters.
Forms	Standard, oiltight, and watertight forms are available.
Contacts	Select from three contact arrangements listed below.

Ordering Information

Order pushbutton by catalog number. Nameplate, if required, must be ordered separately. Order standard nameplate by catalog number. Specify marking for special nameplate.)



Watertight

Contact Arrangement	Catalog Number			
	Standard	Oiltight	Watertight	
			W/ Black Rubber Cap	W/ Red Rubber Cap
1 N.O., 1 N.C.	5729215G1	5729215G18	205A234G5B	205A234G5R
2 N.O.	5729215G23	5729215G19	205A234G6B	205A234G6R
2 N.C.	5729215G22	5729215G20	205A234G8B	205A234G8R

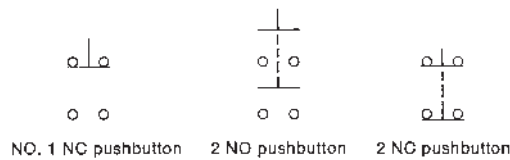


Oiltight

Contact Ratings (Amperes)

Volts	Carry Continuous	Interrupt
115 VAC	10	3.0
440 VAC	10	.75
115 VDC	10	1.1
230 VDC	10	.55

Wiring Symbols



Standard

Panel-mounted Pushbuttons

Type IC5845

Standard Nameplates

Nameplate Marking	Catalog Number		
	Standard	Oiltight	Watertight**
Stop*	NP161882D	NP93003A	245A6295P004
Start	NP161882B	NP93003B	245A6295P005
Off	NP161882N	NP93286C	245A6295P028
On	NP161882P	NP93286D	245A6295P029
Forward	NP161882G	NP99360C	245A6295P035
Reverse	NP161882H	NP99360D	245A6295P036
Hoist	NP161882R	NP93286E	245A6295P037
Lower	NP161882S	NP93286F	245A6295P038
High Speed	NP161882C	NP94562C	245A6295P039
Low Speed	NP161882E	NP94562D	245A6295P040
Fast	NP161882J	NP93286G	245A6295P002
Slow	NP161882K	NP93286H	245A6295P003
Emergency Run	NP161882L	NP93286A	245A6295P030
Emergency Stop*	NP161882T	NP93286J	245A6295P021
Emergency Start	NP156339A	NP93286K	245A6295P041
Test Switch	NP161882M	NP93286L	245A6295P042
Run	NP161882F	NP93286M	245A6295P043
Jog	NP161882U	NP93286N	245A6295P044
Reset	NP100505D	NP93286P	245A6295P032
—	NP161882A	NP93286B	245A6295P001

* Red letters
 ** Navy approved adhesive backed "stick-on" type.

Pushbutton	Contact Arrangement	Dimensions in Inches			Weight in Ounces
		Front of Panel	Back of Panel	Maximum Panel Thickness	
Standard	1 N.O., 1 N.C.	0.38	1.47	0.13	4
	2 N.O.	0.38	2.00	0.13	4
	2 N.C.	0.38	2.13	0.13	4
Oiltight	1 N.O., 1 N.C.	0.31	1.82	0.25	5
	2 N.O.	0.31	2.35	0.25	5
	2 N.C.	0.31	2.48	0.25	5
Watertight	1 N.O., 1 N.C.	0.50	1.82	0.19	6
	2 N.O.	0.50	2.35	0.19	6
	2 N.C.	0.50	2.48	0.19	6

Panel-mounted Pushbuttons

Type IC5845

Outline and Mounting Dimensions (In Inches)

CLEARANCE HOLE FOR
 #8-32 MTG. SCREWS

