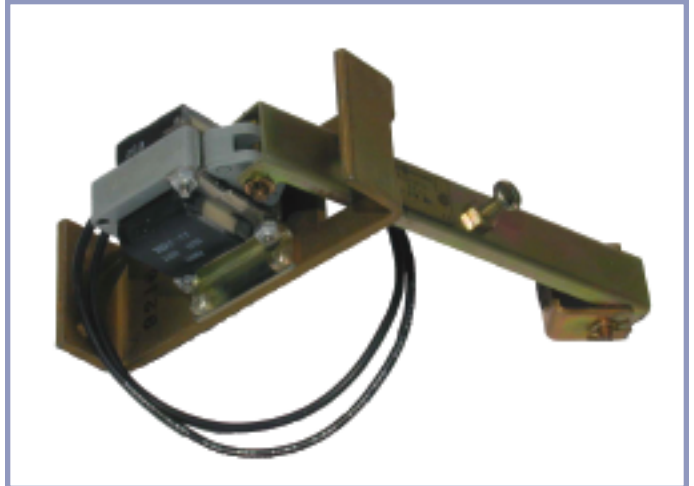


Reset Relays

Type IC5882A300 and IC5882A400

| | |
|----------------------|--|
| Specification | MIL-C-2212 |
| Application | Use for remote resetting of Types IC5882D and IC5882-34 overload relays. |
| Duty | Short time, 30 minutes, 200° C maximum temperature. |
| Voltage | 600 volts maximum. |



| For Use With Overload Relay | Reset Relay Catalog Number | |
|--------------------------------|----------------------------|---------------|
| | 115 VAC | 440 VAC |
| IC5882D121A* | IC5882A400H12 | UC5882A400H14 |
| IC5882D122A* | IC5882A400H12 | UC5882A400H14 |
| IC5882D123A* | IC5882A400H12 | UC5882A400H14 |
| IIC5882-34KK** | IC5882A300B12 | UC5882A300B14 |
| IIC5882-34KK** | IC5882A300B12 | UC5882A300B14 |
| IIC5882-34KK** | IC5882A300B12 | UC5882A300B14 |

* Resets only the short reset rod version of Type IC5882D overload relay.

** Resets two Type IC5882-34 overload relays.

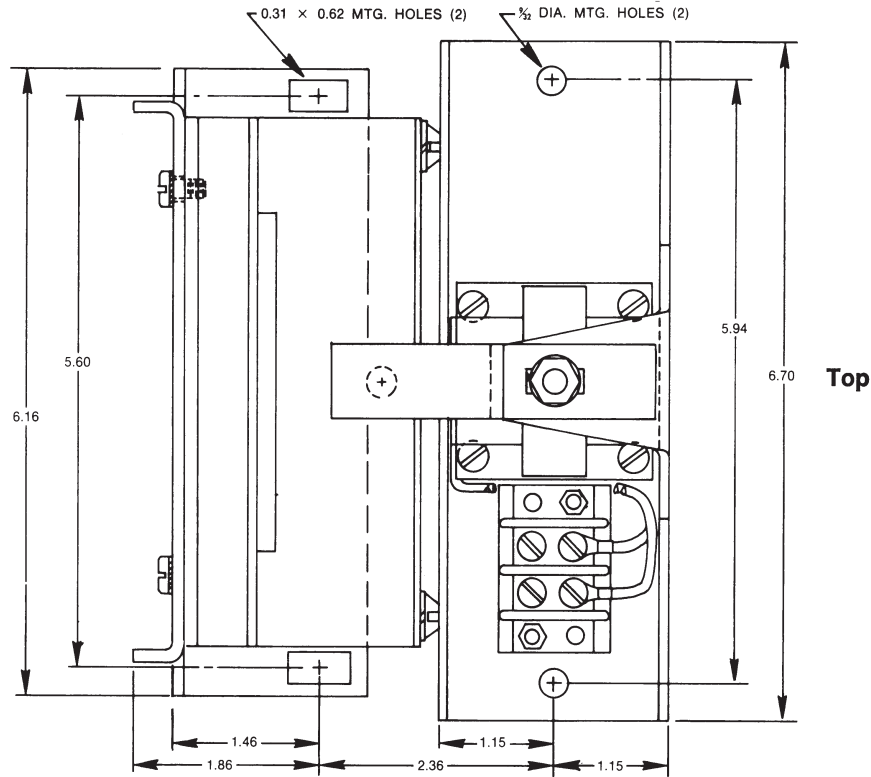
Ordering Information

Order by catalog number. Overload relay is ordered separately.

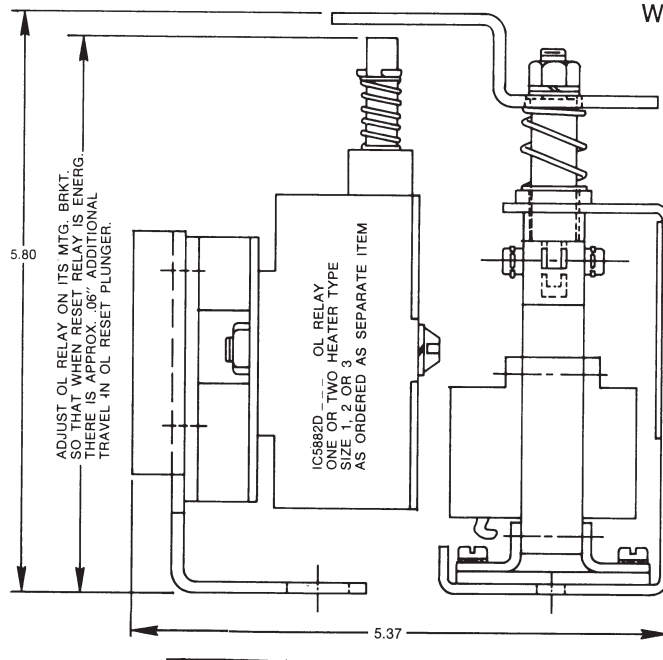
Reset Relays

Type IC5882A300 and IC5882A400

Outline and Mounting Dimensions (In Inches)



WEIGHT = 2 LBS.

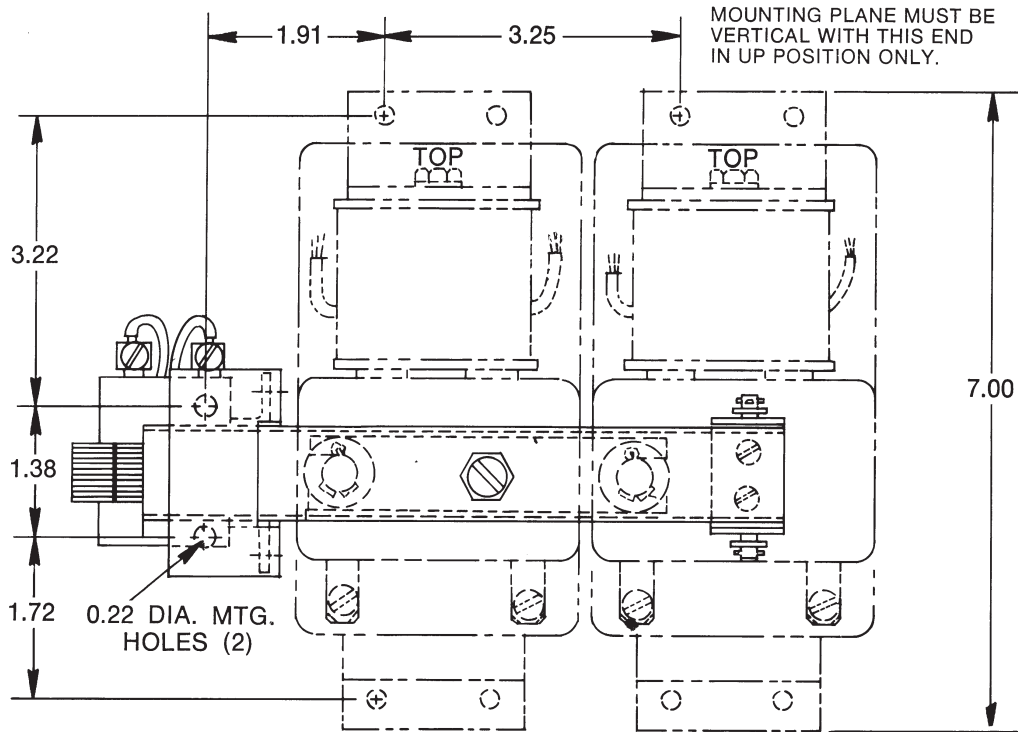


TYPE IC5882A400H RESET RELAY

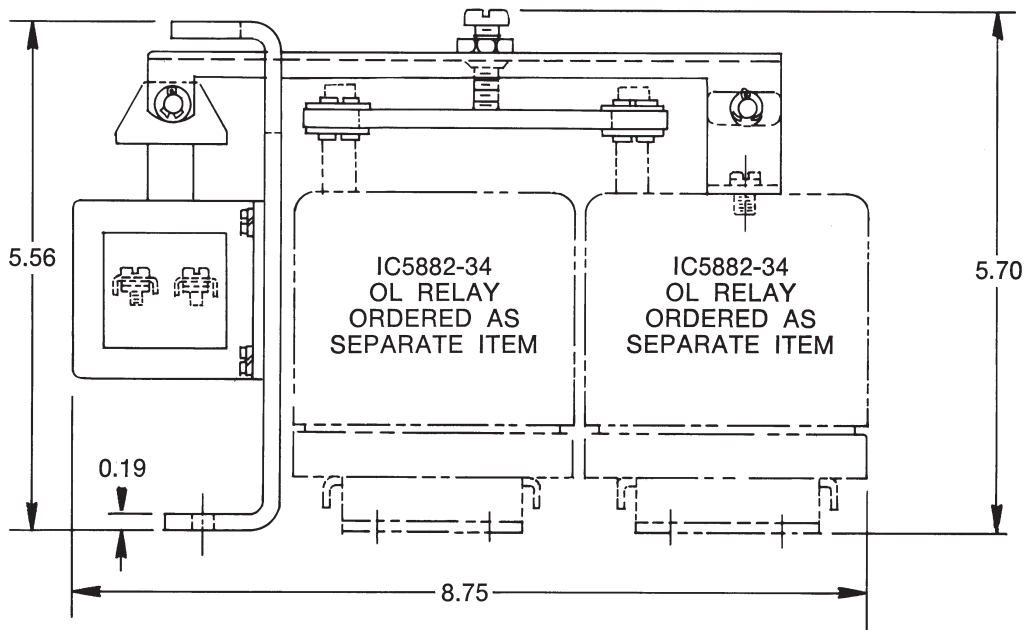
Reset Relays

Type IC5882A300 and IC5882A400

Outline and Mounting Dimensions (In Inches)



WEIGHT = 2 LBS.



TYPE IC5882A300 RESET RELAY