

# Master Switches

## Type IC5847

<b>Specification</b>	<b>MIL-C-2212</b>
<b>Application</b>	Remote control of magnetic starters. Surface mounting.
<b>Enclosure</b>	Watertight.
<b>Types</b>	C - 4 positions max., 8 circuits max. D - 4 positions max., 20 circuits max.
<b>Rating</b>	C and D - 10 amps carry.
<b>Duty</b>	Continuous
<b>Ambient</b>	50° C
<b>Contacts</b>	Both spring return and maintaining contacts available.



Type IC5847 Master Switch

### Ordering Information

When ordering Type IC5847 Master Switches specify:

1. IC Type (e.g. IC5847C)
2. Number of circuits
3. Number of positions
4. Circuit configuration
5. Nameplate marking (position identification)

Type	Ampere Rating	Number of Circuits (Max)
IC5847		
A	No Longer Available	
B	No Longer Available	
C	10	8
D	10	12 20

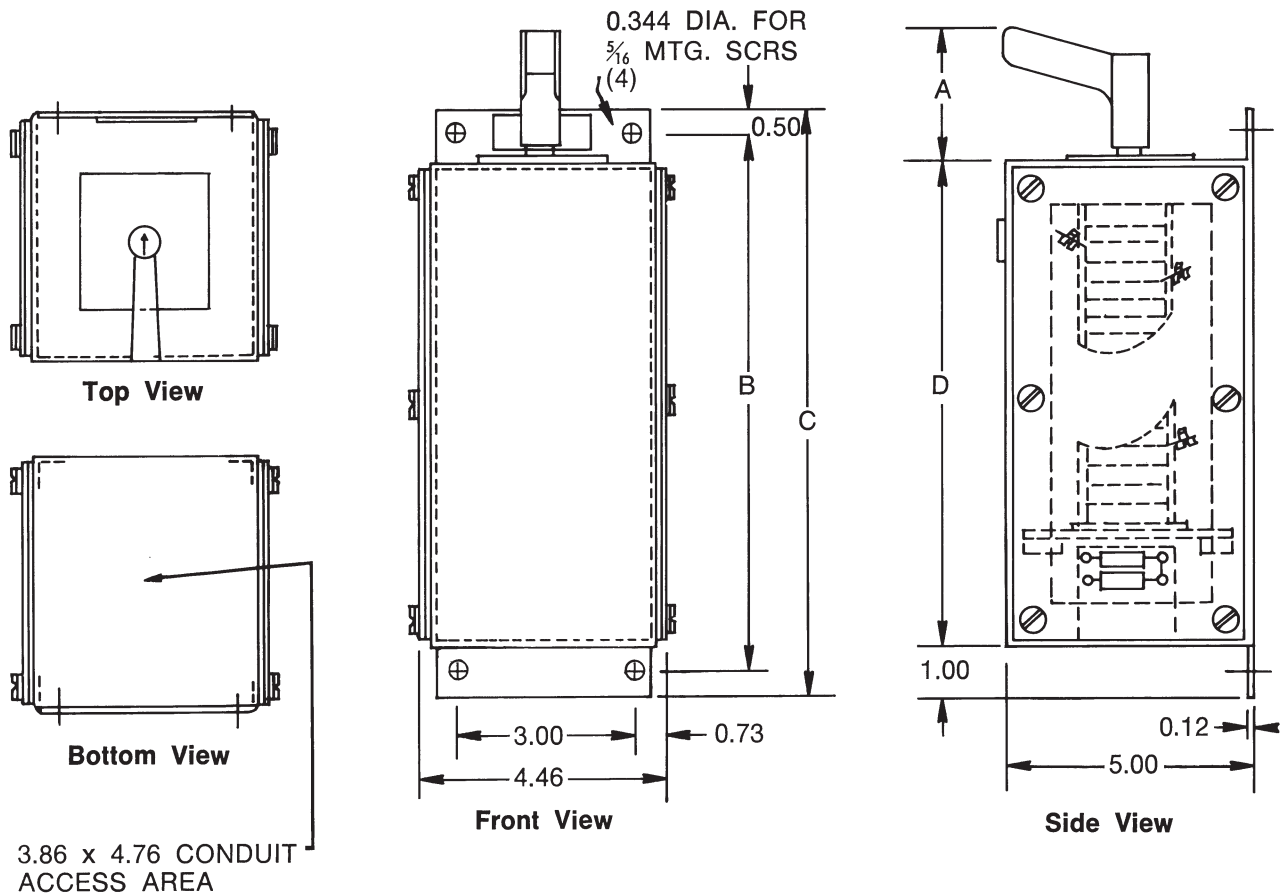
### Electrical Ratings (Amperes)

Rating	Amperes (Inductive Circuit)				
	AC, 60 Hz			DC	
	115 V	230 V	440 V	115 V	230 V
<b>Types IC5847C and IC5847D</b>					
Make	10	8	5	8	5
Break	10	5	3	5	2
Carry	10	10	10	10	10
<b>Types IC5847A and IC5847B</b>					
Make	24	24	24	24	24
Break	24	12	5	2	0.7
Carry	20	20	20	20	20

# Master Switches

## Type IC5847

### Outline and Mounting Dimensions (In Inches)



Type	Dimensions in Inches				Wgt. in Lbs.
	A	B	C	D	
IC5847					
C	2.75	7.00	8.00	6.00	9.5
D	3.50	10.80	11.80	9.80	13.5