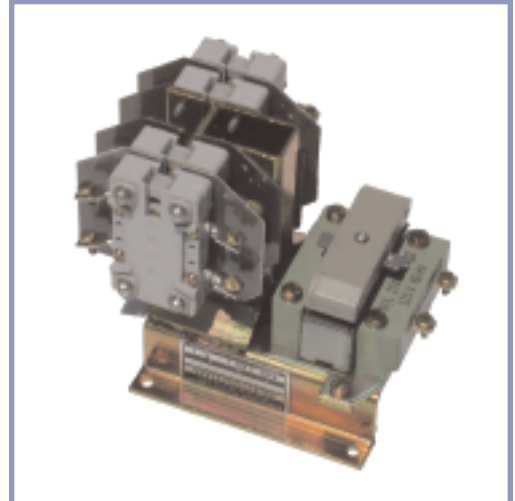


AC Relays

Type IC5182

Series N147 Overload Relays are of the magnetically operated self reset type, designed for use on A.C. or D.C. motor starters and controllers for Navy Service A applications.

Specification	MIL-C-2212
Application	Auxiliary relay, control relay, or undervoltage relay.
Forms	Select standard form (IC5182), or quiet form (IC5182D) when control is to meet standard MIL-STD-740. All quiet AC relays undergo special testing at the factory.
Contacts	Available in 2, 4, 6, and 8 contact versions.
Rated Ambient	50° C
Duty	Continuous
Insulation	Class B (coil is Class A)



Type IC5182 AC Relay

Number of Contacts	Basic Catalog Number IC5182			
	Standard		Quiet	
	115 V Coil	440 V Coil	115 V Coil	440 V Coil
2	C120A3	C120A6	D120A3	D120A6
4	C120A3	C120A6	D120A3	D120A6
6	C120A3	C120A6	D120A3	D120A6
8	C120A3	C120A6	D120A3	D120A6

Ordering Information

Order by complete catalog number. Complete catalog number consists of the basic catalog number, plus a contact arrangement indicator.

Example: A standard relay having a 440 VAC, 60 Hz coil and 6 N.O. and 2 N.C. contacts is: IC5182C120A6ABBA



Unlisted Ratings: For other unlisted voltages or frequencies or for application on D.C., refer to Company.

Control Power Requirements

Volts	Amperes Holding	Amperes Inrush
115	0.33	2.1
440	.08	0.5

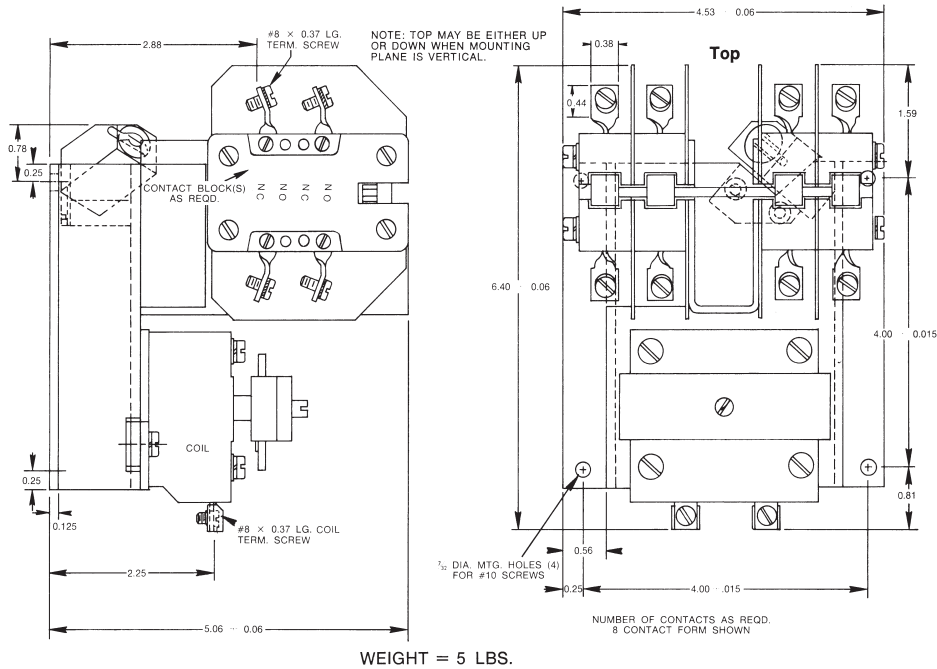
Contact Ratings (Amperes)

Volts	Carry	Make	Break	
			One Contact	2 Contacts in Series
115 VAC	10	60	10	-
440 VAC	10	60	5	-
115 VDC				
Inductive	10	60	1	2
Noninductive	10	60	5	10
230 VDC				
Inductive	10	60	0.5	1
Noninductive	10	60	2	4

AC Relays

Type IC5182

Outline and Mounting Dimensions



Contact Arrangements

No. of Auxiliary Contacts	Arrangements		Contact Arrangement Indicator
	N.O.	N.C.	
2	2	0	XBXX
	1	1	XAXX
	0	2	XCXX
4	0	4	XCCX
	1	3	XACX
	2	2	XAAX
	3	1	XABX
	4	0	XBBX
6	6	0	BBBX
	5	1	ABBX
	4	2	ABAX
	3	3	AAAX
	2	4	ACAX
8	8	0	BBBB
	7	1	ABBB
	6	2	ABBA
	5	3	AABA
	4	4	AAAA